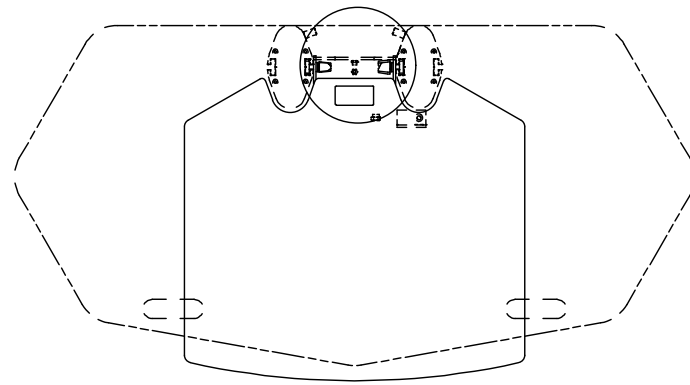
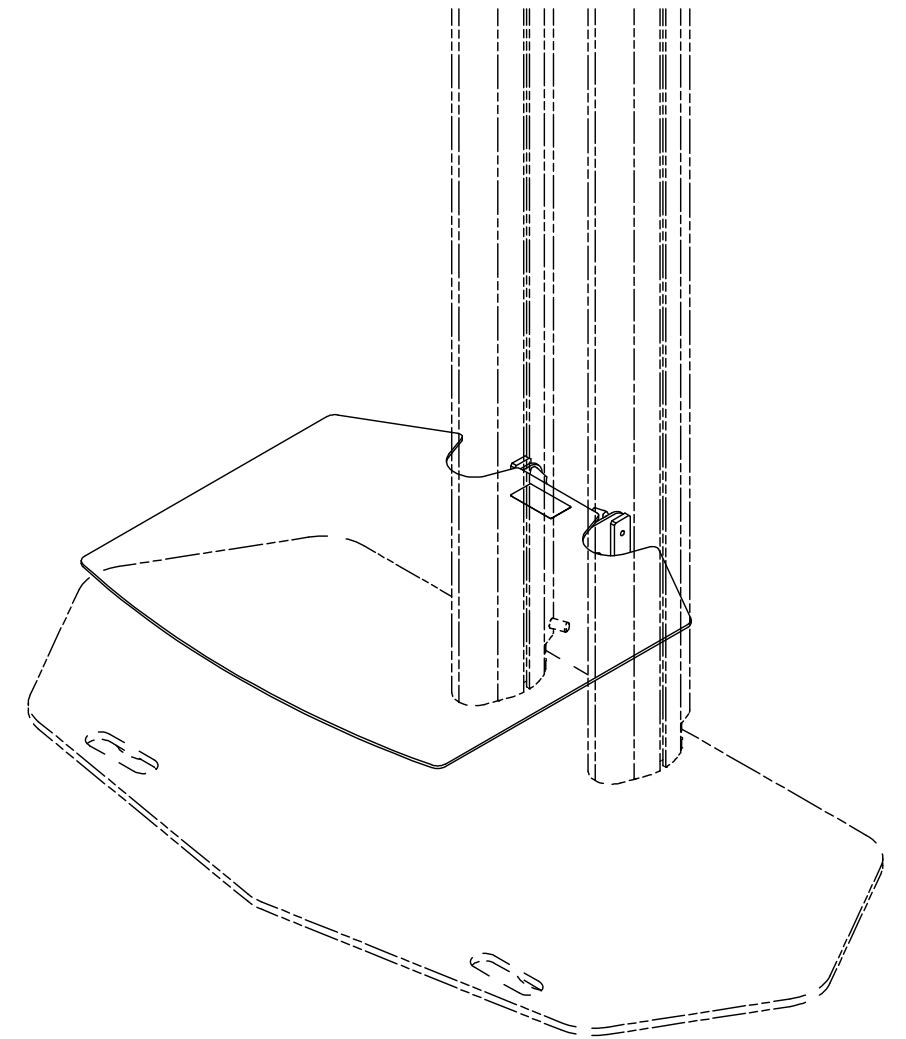
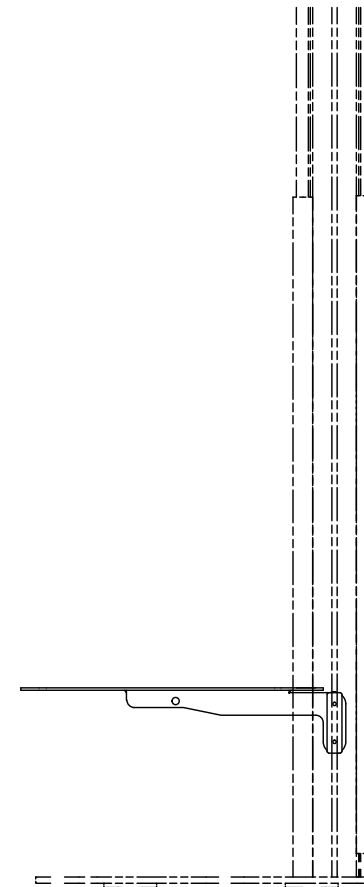
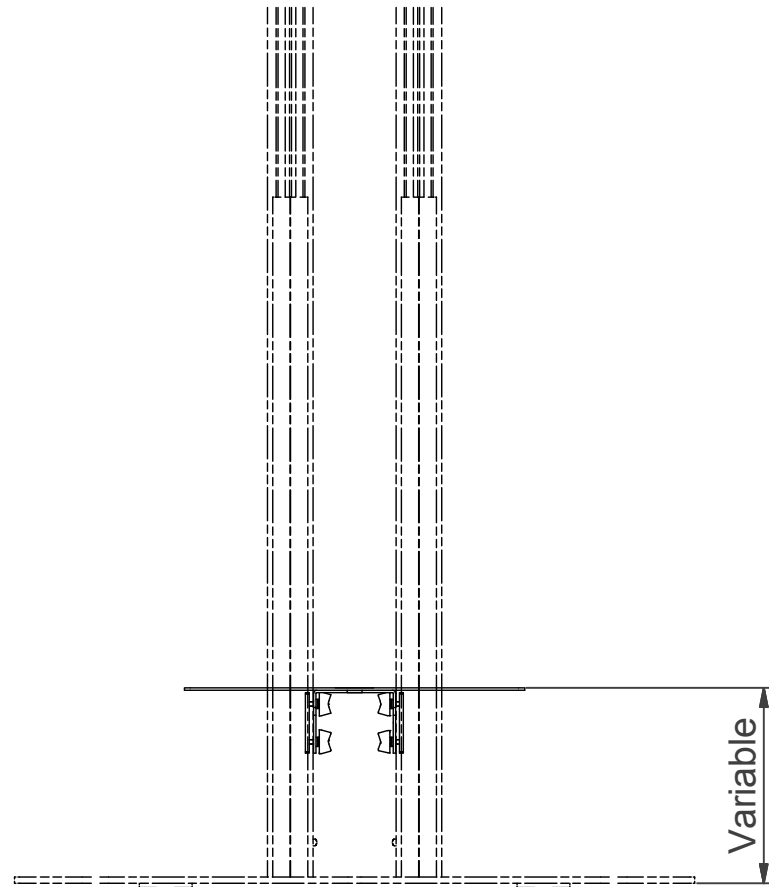
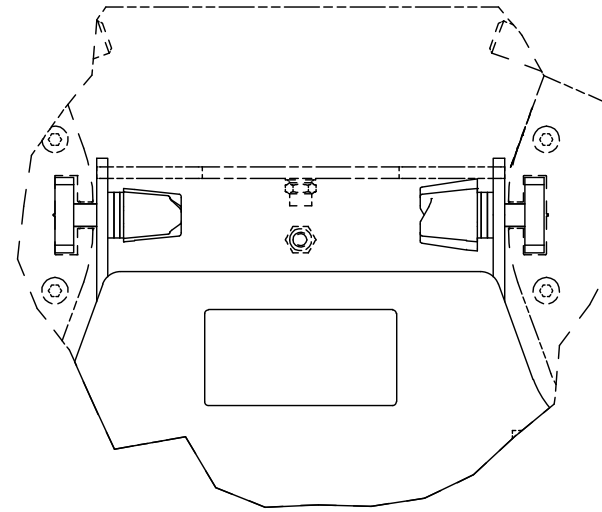


A



Detail A



© COPYRIGHT AUDIPACK
 This print and the information
 shown thereon, is the property of
 AUDIPACK.
 It may not be delivered to others
 nor reproduced for general
 circulation without the written
 consent of the AUDIPACK
 engineering department.



AUDIPACK
 Industriestraat 2-4
 2751 GT Moerkapelle
 the Netherlands
 Tel: +31(0)795931671
 Fax: +31(0)795933115
 www.audipack.com

MOUNTINGGUIDE

390715/716

15-7-2010